

ROASTER CHARCOAL OVEN ROC76



TECHNICAL INFORMATION

Productivity + -	110 diners
Fire up time	30 min average
Charcoal daily consumption *	15 – 17 kg
Performance*	9 h
Broiling temperature	250 °C to 350 °C
Exhaust rate	2.500 m3/h
HeatOutput*	8 kw
Extraction diameter Φ	180mm

DIMENSIONS & WEIGHTS

Without packaging	985x777x1685 mm
With packaging	1060X960X1830 mm
Weight(NET)	390 kg
Weight (with packaging)	458 kg

INSTALLATION

Clearance with non-flammable equipment	100 mm
Clearance with flammable equipment	300 mm

*Depends on the charcoal quality.

INCLUDED ACCESSORIES

2 Stainless steel grill racks // 2 Gastronorm racks// Chimney kit // Ash pan drawer

1 Stainless steel tong // Grease collector tray // Grill scraper // Poker // Ash shovel

DOOR COLORS



Black



Red

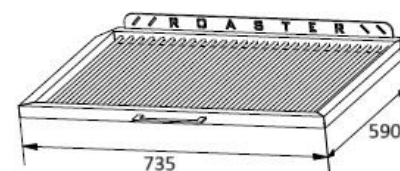
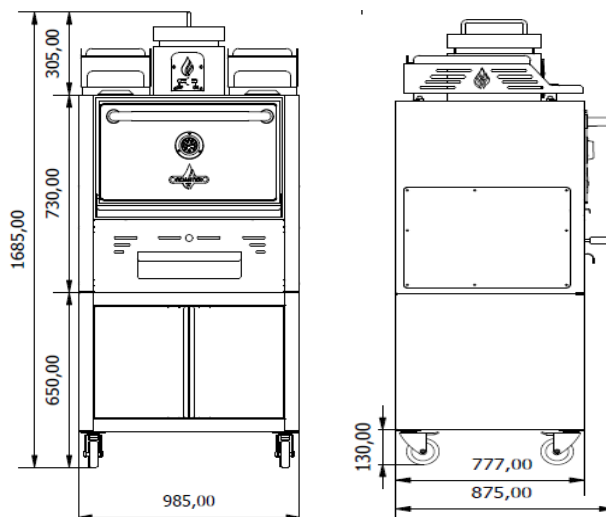
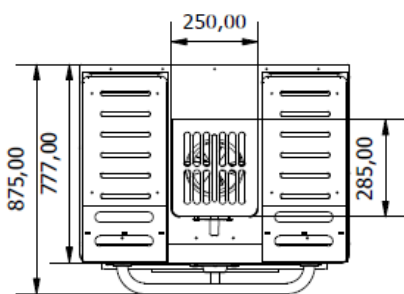


Inox



Blue

TECHNICAL DRAWINGS



*Dimensions in mm

*The ovens are subject to technical and design changes without previous notice.

