

ROASTER CHARCOAL OVEN R56



TECHNICAL INFORMATION

Productivity + -	75 diners
Fire up time	30 min average
Charcoal daily consumption *	10 – 12 kg
Performance*	9 h
Broiling temperature	250 °C to 350 °C
Exhaust rate	2.100 m3/h
Heat Output*	6 kw
Extraction diameter Φ	180mm

DIMENSIONS & WEIGHTS

Without packaging	785X777X1095 mm
With packaging	860X960X1310 mm
Weight(NET)	281 kg
Weight (with packaging)	334 kg

INSTALLATION

Clearance with non-flammable equipment	100 mm
Clearance with flammable equipment	300 mm

*Depends on the charcoal quality.

INCLUDED ACCESSORIES

- 2 Stainless steel grill racks // 2 Gastronom racks // Chimney kit // Ash pan drawer
- 1 Stainless steel tong// Grease collector tray // Grill scraper // Poker// Ash shovel

DOOR COLORS



Black



Red

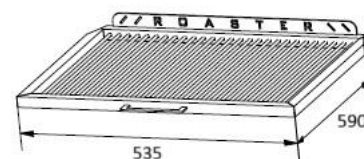
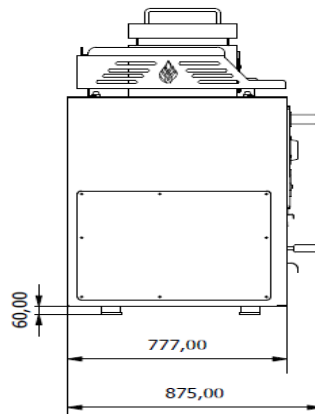
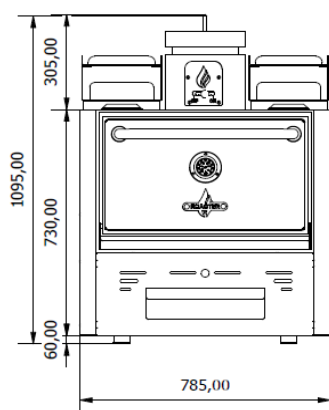
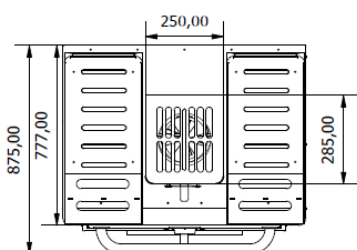


Inox



Blue

TECHNICAL DRAWINGS



*Dimensions in mm

*The ovens are subject to technical and design changes without previous notice.

